

GOST



ATEX

Special Features

- Atex approved
- High accuracy & repeatability
- SS wetted parts
- Set point locking
- Highly reliable
- Diaphragm seals (optional)

Applications

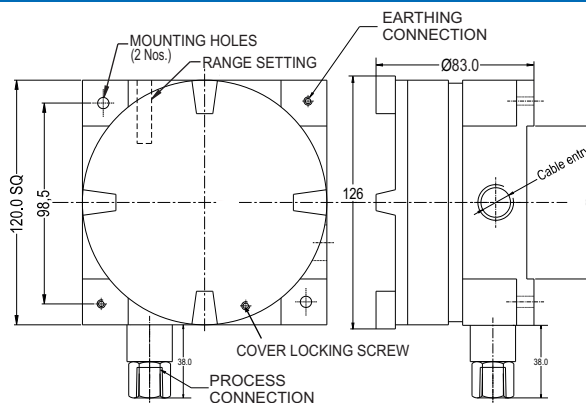
- Boiler, furnace
- Oil & gas, conventional & nuclear power plants, mines, iron & steel plants, refineries, petrochemical, hydraulic, food & pharmaceutical, chemical & fertilizer, cement, glass, paint, pulp & paper, marine industries and other hazardous applications.

Specifications

Standard Version

Repeatability	:	± 1% F. S.
Scale unit	:	bar (inside enclosure)
Range	:	Refer "how to order"
Set point	:	Between 20 to 80% F. S. for better performance
Over pressure limit	:	150% of F. S.
Differential	:	Fixed
Mounting	:	Bottom / Panel
Process connection	:	1/4" NPT (F)
Enclosure protection	:	W/P to IP 65 & Explosion proof, Class 1, Div. 2, Gas Groups B, C & D (ExII2G, Eex d IIC T6)
Enclosure material	:	Die cast aluminum
Maximum process temperature	:	150 °C
Ambient temperature	:	-10 to 60 °C
Switch	:	1 SPDT, snap action micro switch
Switch rating	:	15 A, 250 VAC, 0.2 A, 220 VDC
High voltage strength	:	0.5 to 0.6 KV between open contacts and 2 KV between contacts and body
Insulation resistance	:	>100 M ohms at 500 V
Sensing element	:	Piston
Wetted parts	:	AISI 316 SS
Cable gland	:	1/2"NPT (M) double compression
Scale Accuracy	:	± 1.0% F. S.
Conformity	:	BS 6134

Dimensional Details



Notes : • Drawings are not to scale. • All dimensions are in mm.

How To Order							Example
Basic Model							ZPPX
Range							XXXX
Ordering Code	Range (bar)	Ordering Code	Range (bar)	Ordering Code	Range (bar)		
PC60	5 to 60	P160	10 to 160	P400	40 to 400		
P100	10 to 100	P250	10 to 250	P600	60 to 600		
Note : Other equivalent scale units like kg/cm ² , kPa, MPa, psi, mmWC etc can be provided on request.							
Wetted Parts							XX
C6	AISI 316 SS (standard)		SL	AISI 316L SS			
Differential							X
F	Fixed (standard)						
Note :							
Fixed : 1 SDDT = 3 to 5% F.S.							
2 SPDT = 4.5 to 7.5% F.S.							
1 DPDT = 4.5 to 7.5% F.S.							
Type of Micro Switch							XX
1S	1 SPDT		2S	2 SPDT		1D	
Micro Switch Rating							XXX
Switch Code	Description	AC Rating	AC Rating (Resistive)	DC Rating (Inductive)	Available on 1 SPDT	Available on 2 SPDT	
GPL	Low dead band and fixed	15 A 250 V	2 A 24 V 0.4 A 110 V 0.2 A 220 V	2 A 24 V 0.4 A 110 V 0.2 A 220 V	Fixed differential of ZPP	Fixed differential of ZPP	
GPH	Standard dead band	15 A 250 V	6 A 24V 0.5 A 110 V 0.25 A 220 V	5 A 24 V 0.05 A 110 V 0.03 A 220 V	Fixed differential of ZPP	Fixed differential of ZPP	
GPA	Adj. differential micro switch	15 A 250 V			Adj. differential of ZPP	NA	
GPG	Gold plated contact	1 A 125 V	0.5 A 28 V		Fixed differential of ZPP	Fixed differential of ZPP	
SES	Environmentally sealed silver contact	15 A 250 V	0.4 A 125 V		Fixed differential of ZPP	Fixed differential of ZPP	
SEG	Environmentally sealed silver contact		1 A 28 V		Fixed differential of ZPP	Fixed differential of ZPP	
HSS	Hermetically sealed silver plated	4 A 230 V	3 A 28 V	2 A 24 V	Fixed differential of ZPP	Fixed differential of ZPP	
HSG	Hermetically sealed gold plated	1 A 125 V	NA	NA	Fixed differential of ZPP	Fixed differential of ZPP	
HDC	High DC rating	10 A 125 V	10 A 125 V	6 A 125 V	Fixed differential of ZPP	Fixed differential of ZPP	
DPD	DPDT Micro switch	10 A 125 V	0.2 A 250 V		Fixed & adjustable differential of ZPP	NA	

How To Order		Example
Calibration		
I Increasing	D Decreasing	X
Process Connections (* Please mention the flange face and flange finish)		
	Through Adaptors	Flanged (As per ANSI B 16.5)*
2NM 1/4" NPT (M)	3BM 3/8" BSP (M)	B09 1/2" 150 #
2NF 1/4" NPT (F) (Standard)	3BF 3/8" BSP (F)	B10 1/2" 300 #
	4BM 1/2" BSP (M)	B11 1/2" 600 #
	4BF 1/2" BSP (F)	B15 3/4" 150 #
	4NM 1/2" NPT (M)	B16 3/4" 300 #
	4NF 1/2" NPT (F)	B17 3/4" 600 #
		B21 1" 150 #
		B22 1" 300 #
		B23 1" 600 #
		B33 1 1/2" 150 #
		B34 1 1/2" 300 #
		B35 1 1/2" 600 #
		B39 2" 150 #
		B40 2" 300 #
		B41 2" 600 #
		B51 3" 150 #
		B52 3" 300 #
		B53 3" 600 #
Cable Entry		
DTE 3/4" ET duel entry with one entry plugged	ECB 3/4" ET DCCG brass	DCS 3/4" ET DCCG with one entry plugged
DNP 1/2" NPT (F) with one entry plugged	NPB 1/2"NPT DCCG brass	DPS 1/2" NPT DCCG with one entry plugged
ECS 3/4" ET DCCG SS	ETE 3/4" ET	2NP 1/2" NPT (F)
		NPS 1/2"NPT DCCG SS
Options		
PW Calibration certificate	WM Wall mounting bracket (steel plated)	
SX SS Tag plate	PM 2" Pipe mounting	
TF Conformity as per NACE Standard	JU 2" Pipe/yoke mounting bracket & 'U' Clamp (AISI 304 SS)	
GH Material test certificates***	FN 2" Pipe/yoke mounting bracket & 'U' Clamp (AISI 316 SS)	
SG Oxygen service	AT ATEX Conformity Certificate	
PU Calibration certificate traceable to national/international standards		
Accessories (refer individual datasheet for complete specifications)		
EB Cooling tower	ED Overload protector	EG Snubber
EC Gauge cock	NV4 Needle valve	EH Syphon
DS Diaphragm seals	EL Cooling capillary	VM Manifolds

***Material test certificates will be provided for wetted parts only with chemical composition testing.

For others, please consult factory.

Ordering Example: ZPPX . XXXX . XX . X . XX . XXX . X . XXX . XXX . XX

Note : In 2 SPDT Instruments, there may be an error of max ± 2% F. S. between micro switches at the set point.